

Netname explanation
 OB: On Board
 BB: LPCxpresso Base Board
 All resistors and capacitors are 0402 package
 Except for 10uF capacitors (0603 package)

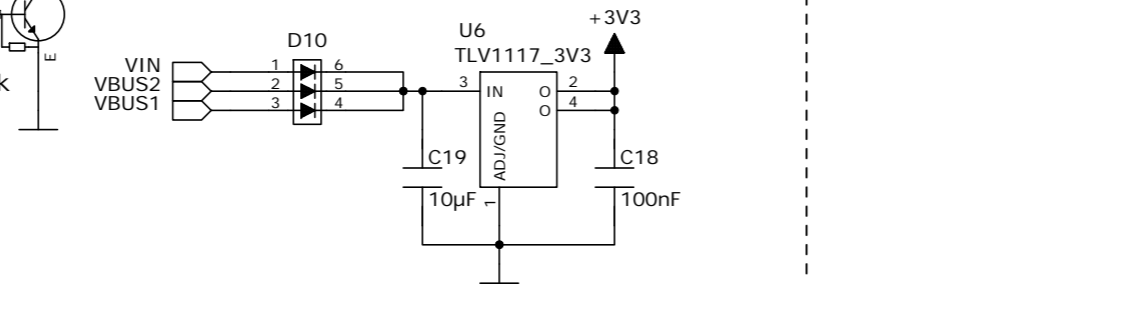
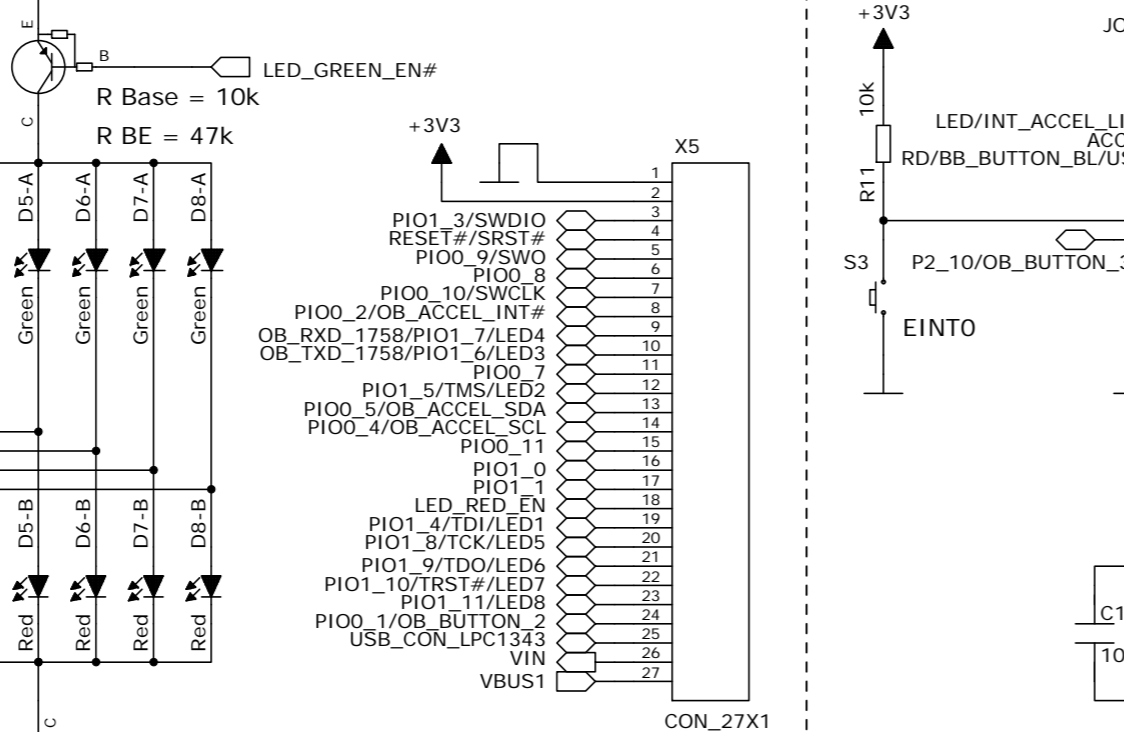
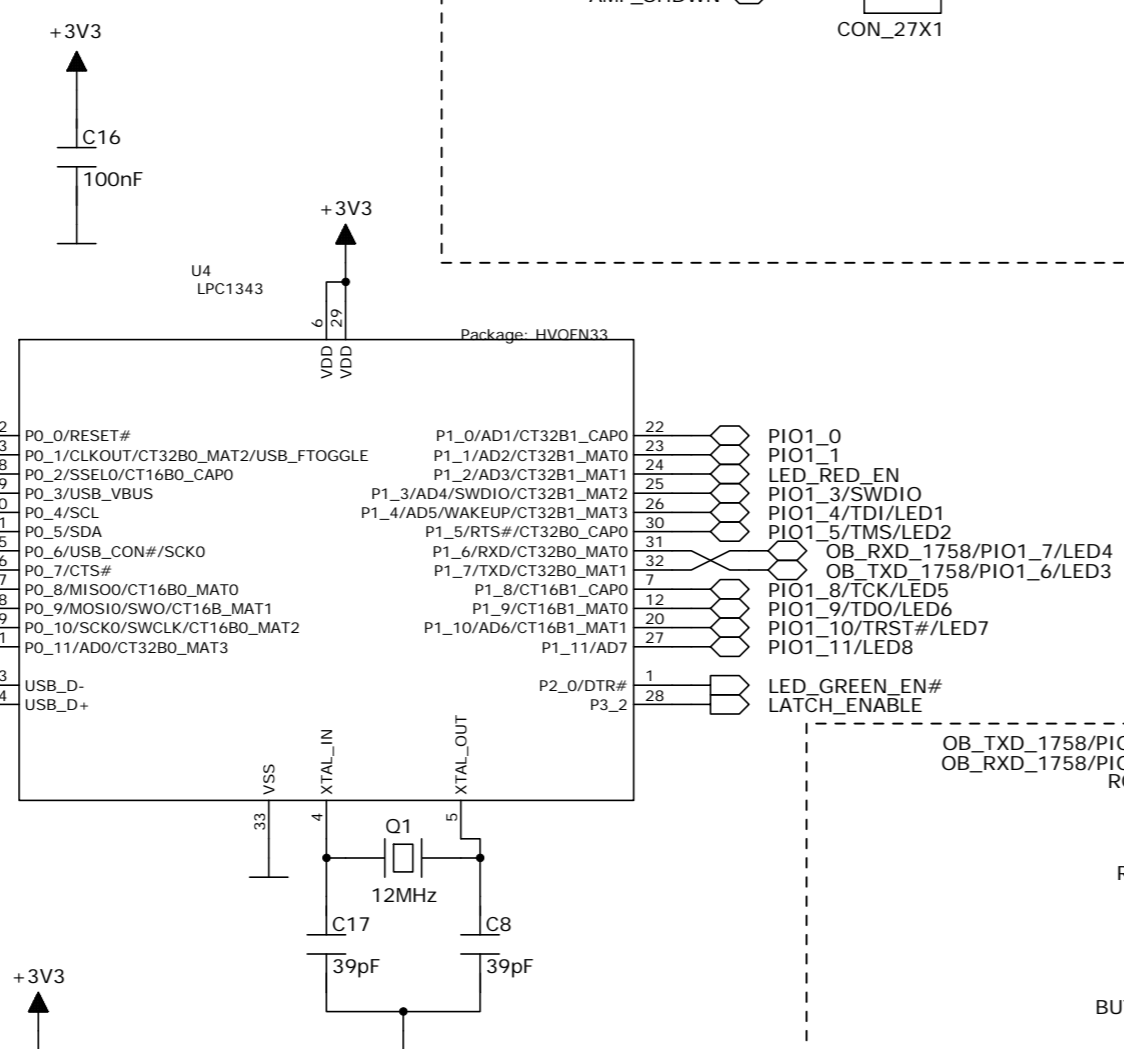
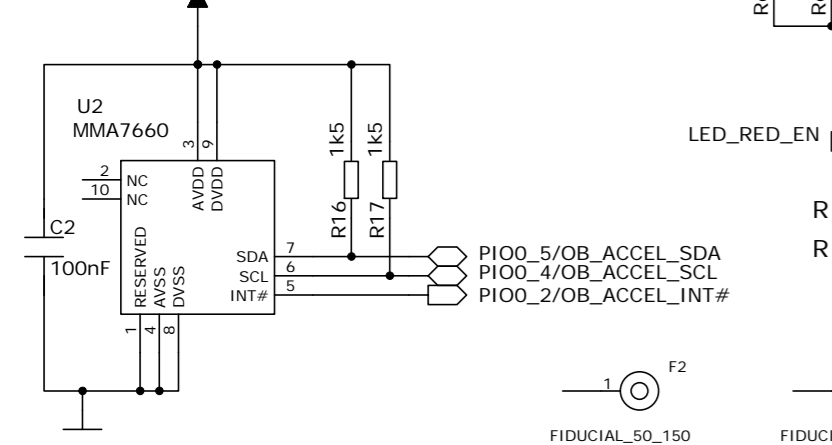
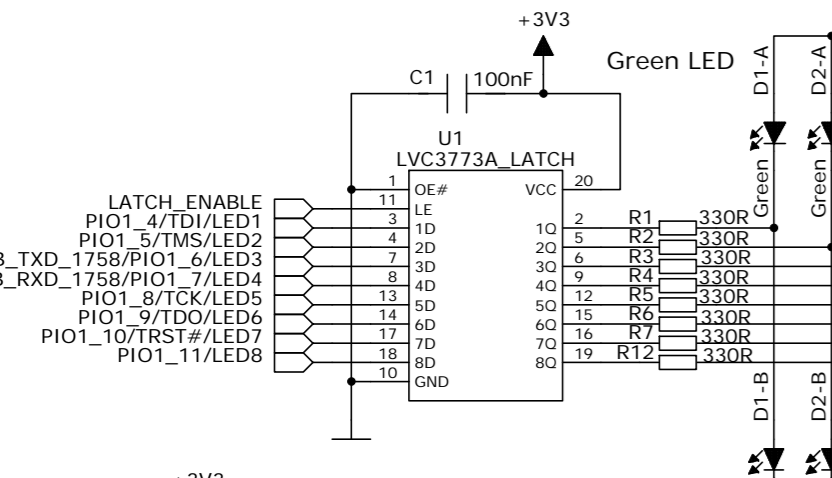
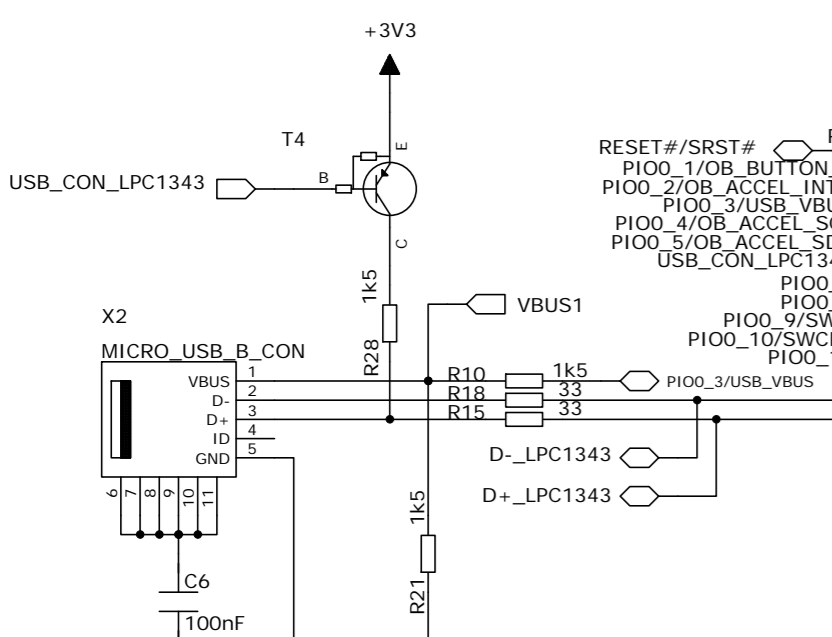
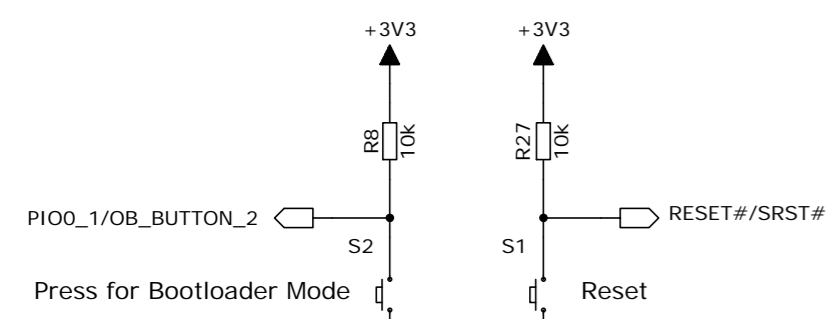
Optional

REVISION RECORD			
LTR	ECO NO OR REVISION:	APPROVED:	DATE:
A	Changed conn. pins	Kramer M.	12/06/12
B	Added uC pins	Kramer M.	28/06/12
C	Added Fiducial	Kramer M.	11/07/12

D

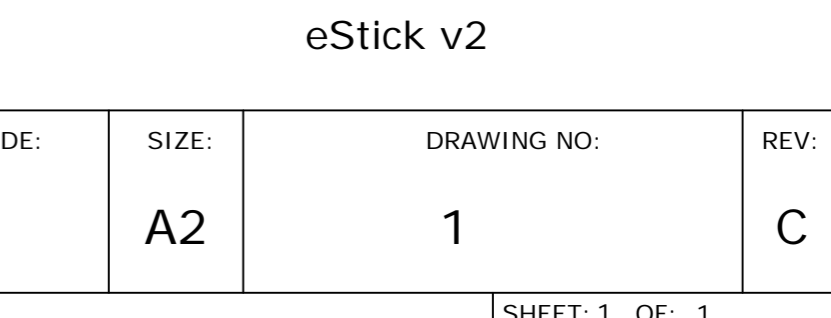
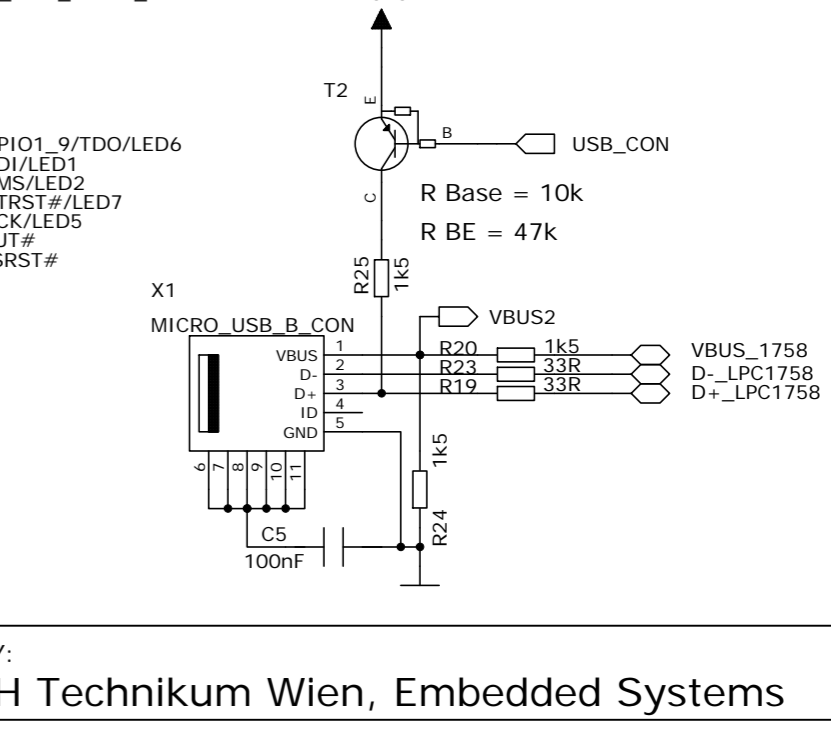
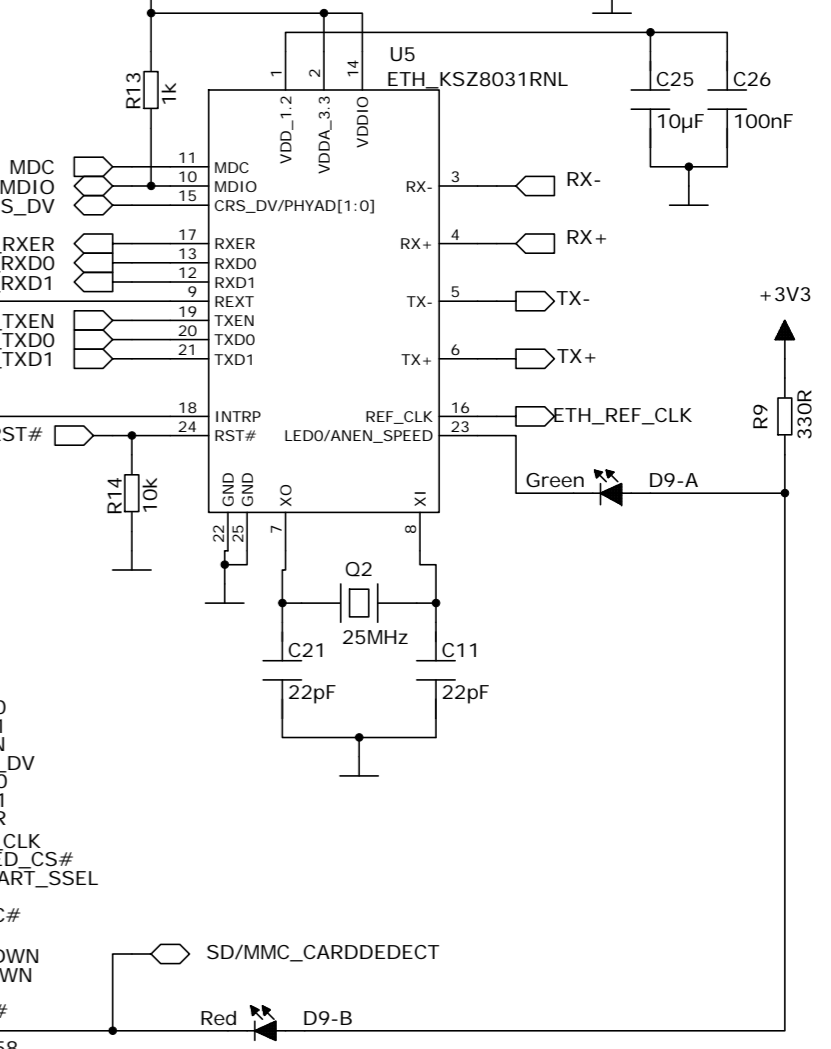
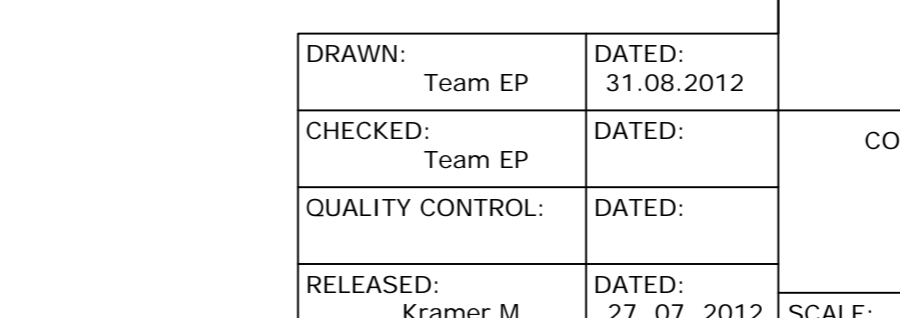
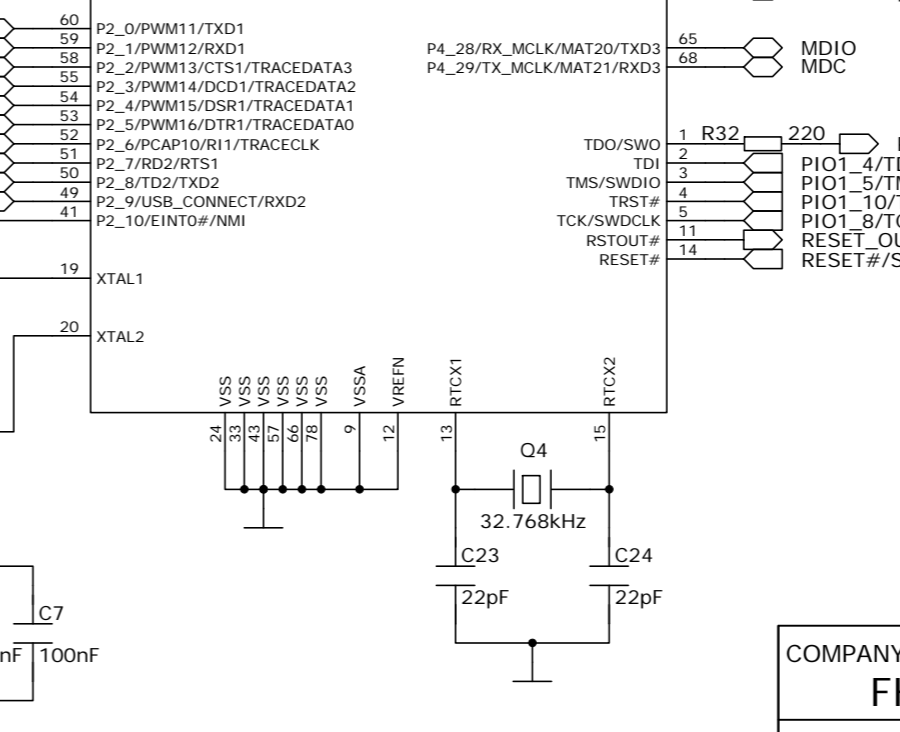
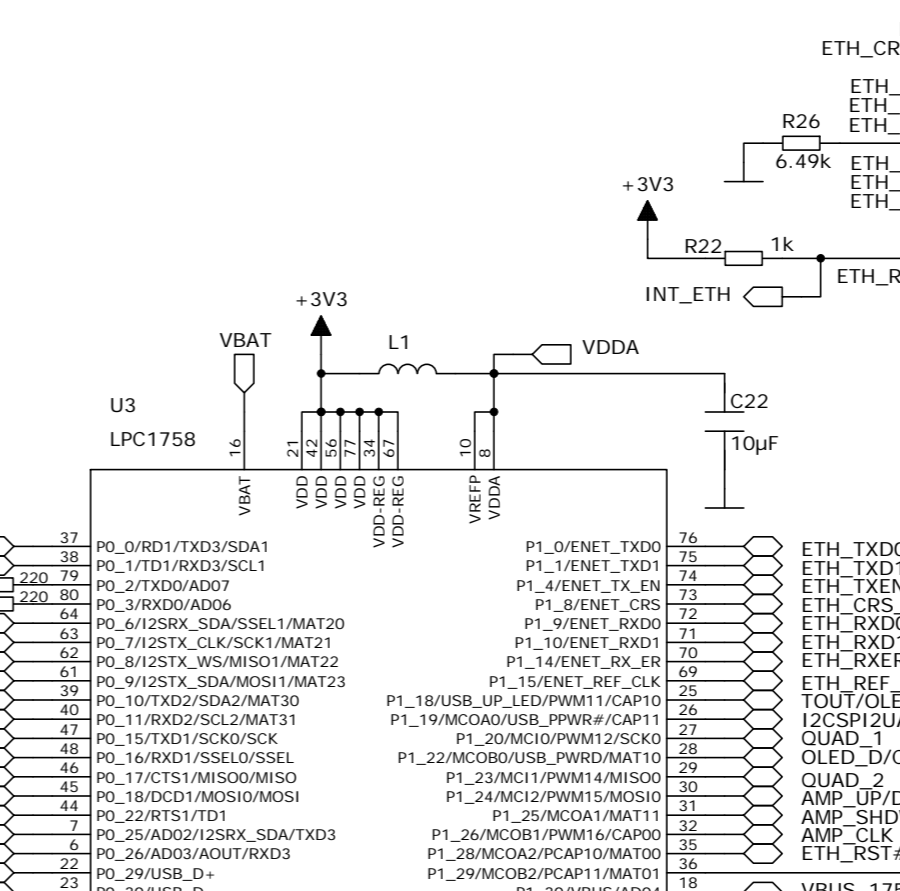
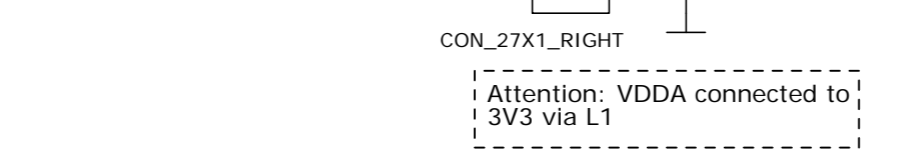
D

Mounted per default



CON_27X1	
1	GND
2	VIN
3	VBAT
4	Reset Button & Peripherals Reset In
5	MOSI
6	MISO MMC/SD, Flash, 7-Seg
7	SCK I2C / SPI to UART, OLED
8	Temp, CS# OLED
9	TXD_BB
10	RXD_BB
11	XBEE_CTS#
12	JOY_CENT/XBEE_DTR#
13	JOY_DR
14	JOY_UR
15	AN_IN_POT
16	QUAD_1
17	QUAD_2
18	RGB_B/SPEAKER_PWM
19	NC
20	PI0_3/SWDIO
21	BUTTON_WKUP/BNC_IN
22	XBEE_RTS#
23	ACCEL_INT2/TX_ENABLE
24	USB_CON
25	PI00_10/SWCLK
26	AMP_UP/DWN
27	AMP_SHDWN

CON_27X1_RIGHT	
28	3V3
29	VBUS2
30	NC
31	NC
32	ETH - RX-
33	ETH - RX+
34	ETH - TX-
35	ETH - TX+
36	USB D+
37	USB D-
38	USB D+
39	CAN - RD, Button - Bootloader, USB to UART
40	Portexpander, EEPROM, Accel, SDA
41	Light sens., I2C to UART, OLED, SCL
42	RGB - R, RS422 - RX en
43	RGB - G, OLED - SHDN#
44	LED, SSEL - MMC, Flash, 7-Seg
45	Joystick - UL
46	Joystick - DL
47	LED/INT_ACCEL_LIGHTSENS_I2C2UART
48	PI2_10/OB_BUTTON_3
49	OLED_D/C#
50	I2C/SPI to UART - SSEL
51	NC
52	MMC - Carddetect
53	NC
54	GND



COMPANY:			
FH Technikum Wien, Embedded Systems			
TITLE:			
eStick v2			
DRAWN:	Team EP	DATED:	31.08.2012
CHECKED:	Team EP	DATED:	
QUALITY CONTROL:		DATED:	
RELEASED:	Kramer M.	DATED:	27. 07. 2012
CODE:	SIZE:	DRAWING NO:	REV:
	A2	1	C
SCALE:			SHEET: 1 OF: 1

A

A